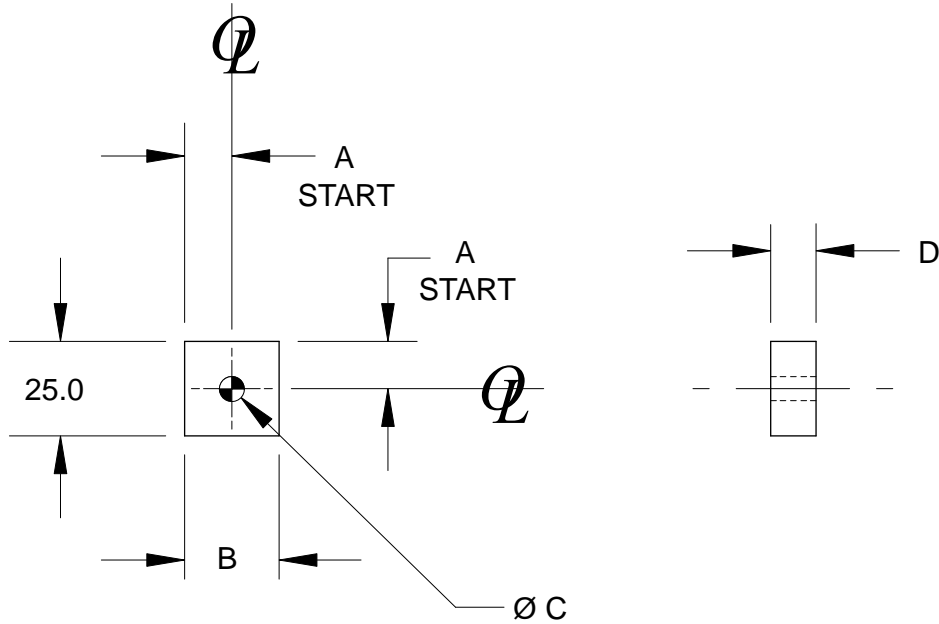


SHOP FLOOR COMPONENTS INDEX

PAGE	DATE	NAAMS CODE	DESCRIPTION
X-1	07/09/07		SHOP FLOOR COMPONENTS INDEX
X-2	07/09/07	ACB001 - ACB002	CERTIFICATION BLOCKS
X-3	07/09/07		HOSE BRACKET

CERTIFICATION BLOCKS



NAAMS CODE	A	B	Ø C	D
ACB001	* 0.50	* 1.00	* 0.2500 ^{+0.0005} / _{-0.0000}	* 0.50
ACB002	12.5	25.0	6.00 ^{+0.013} / _{-0.000}	12.0

MAT'L - C.R.S.

STK: 1/2" x 1" x 25.0mm LG (ACB001)

STK: 12mm x 25mm x 25.0mm LG (ACB002)

NOTE: ALL DIMENSIONS ARE METRIC UNLESS NOTED *.

